

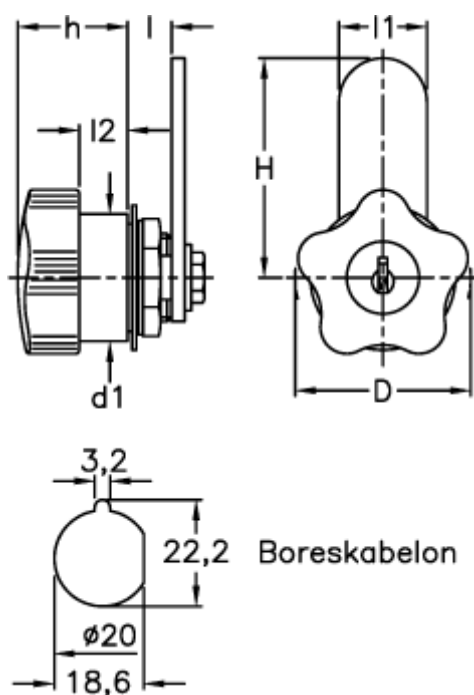
# Data Sheet



Article number: 2310068101

Description: E+G Latch w/straight lever and key  
VC.308/40-D

## Measures



D	= 40
d1	= 29
H	= 50
h	= 25
$l \pm 0,5$	= 10
l1	= 20
l2	= 11